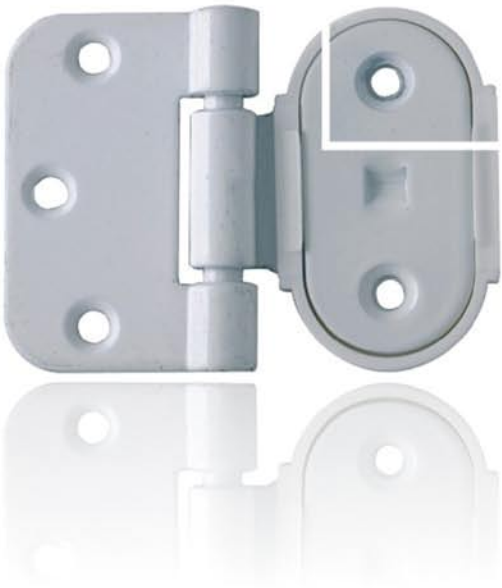
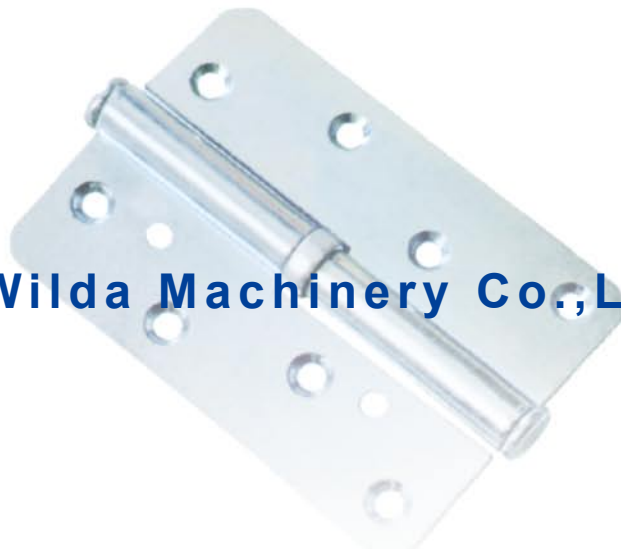




HARDWARE



Weifang Wilda Machinery Co., Ltd.



Weifang Wilda Machinery Co.,Ltd. is a professional manufacturer for window and door metal products, wood connectors,etc. Our main products are Steel Hinge, Lock, Handle, Wood connectors, pole anchors and other metal products etc.

With abundant fund,advanced equipment and professional technology,Our factory covers more than 3000 square meters.Our factory is an ISO 9001 certificated company. Our products are exported to USA, Finland,Sweden,Germany,Russia,Lithuania,Estonia, Latvia,etc.

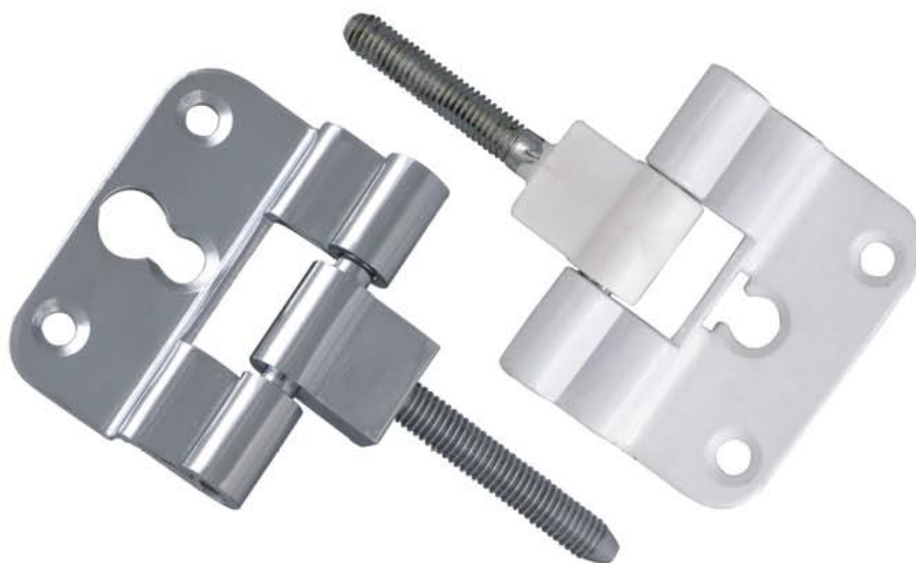
Our factory has rich technical force,owned lots of senior tooling(mould) designing engineers and skilled technicians. We have the ability of designing, developing and producing all kinds of metal products independently,as well as according to customer's drawing and samples.

With the high-quality products and honest credit, the business scale of our company is keeping enlarged. We get a great reputation on our products and our best and fast service. We sincerely welcome customers all over the world to collaborate with us, in order to establish mutually beneficial cooperation and partnerships.

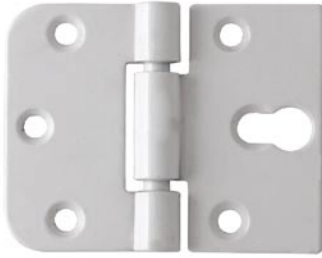
Quality, Price & Delivery



NP: NICKEL PLATED
PN: PEAL NICKEL
SN: SATIN NICKEL
CP: CHROME PLATED
SC: SATIN CHROME
PB: POLISHED BRASS
SB: SATIN BRASS
GP: GOLDEN PLATED
BP: BRASS PLATED
AC: ANTIQUE COPPER
AB: ANTIQUE BRASS
CZ: COLOR ZINC
WZ: WHITE ZINC
ZP: ZINC PLATED
PC: POWDER COATED
SS: STAINLESS STEEL



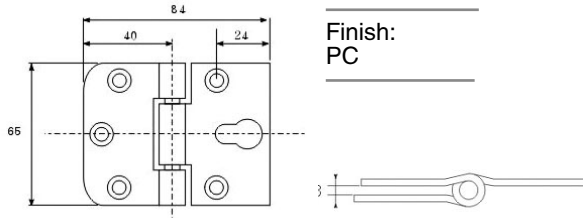
WD-601B



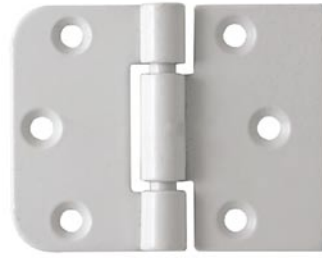
WD-601B

Material:
Steel

Finish:
PC



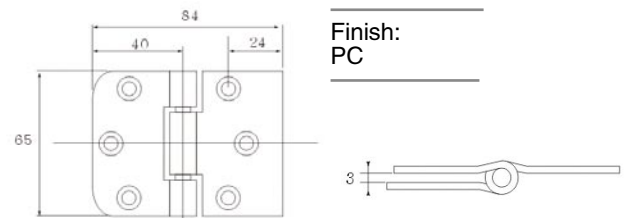
WD-601C



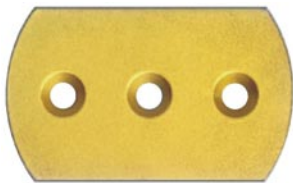
WD-601C

Material:
Steel

Finish:
PC

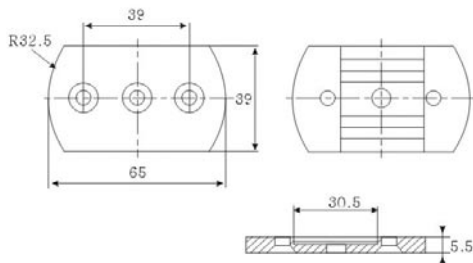


WD-601A



Material:
Zinc Alloy

Finish:
PC

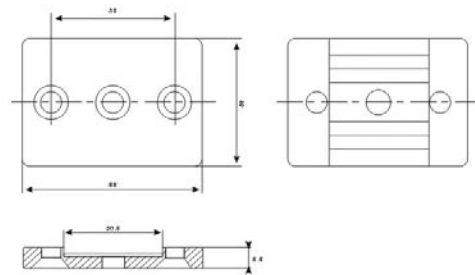


WD-601Z

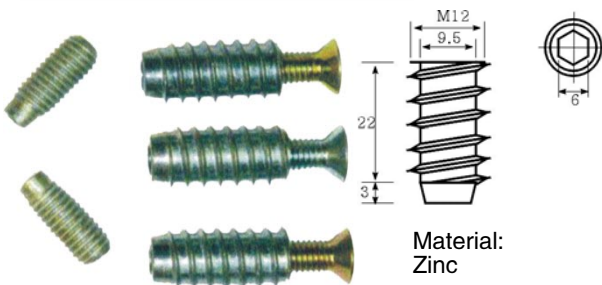


Material:
Zinc Alloy

Finish:
PC



WD-602zja4228z M6*20



Material:
Zinc

Material:
Steel

Finish:
ZP

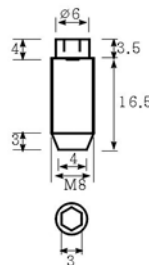


WD-6540

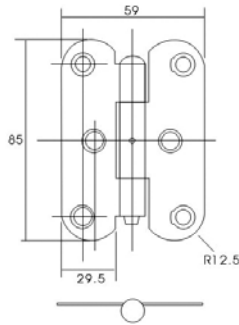
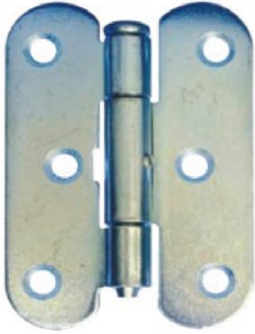


Material:
Steel

Finish:
PC

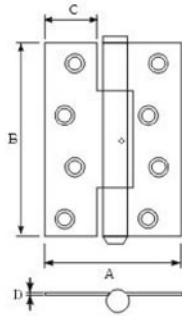
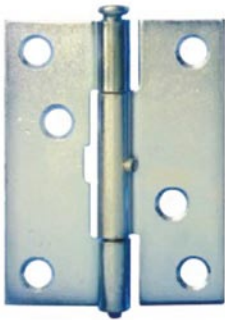


WDSR-85X25



Material: Steel
Finish: ZP

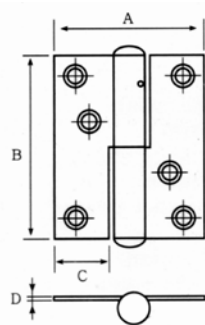
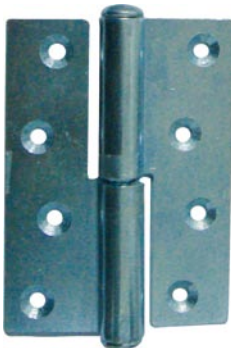
WDS-70X23, 100X28



Material: Steel
Finish: ZP

Dimension:	A-mm	B-mm	C-mm	D-mm
WDS 70x23	54mm	70mm	27mm	1.6mm
WDS 100x28	68mm	100mm	34mm	2.5mm

WDNS-70X23, 100X28



Material: Steel
Finish: ZP

Dimension:	A-mm	B-mm	C-mm	D-mm
WDNS 70x23	54.4mm	70mm	21mm	2.0mm
WDNS 100x28	68.8mm	100mm	26mm	2.5mm

NIV-70X19

NIV-75X25

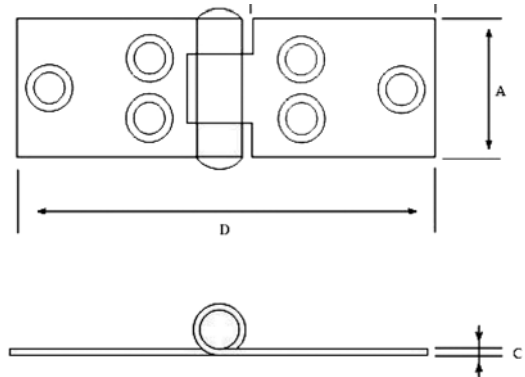
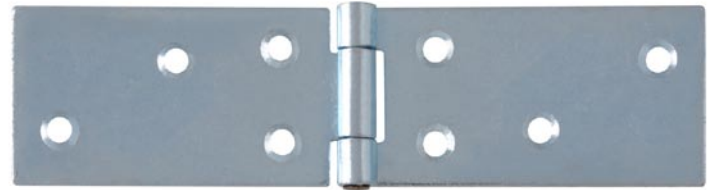
NIV-100X32

NIV-100X38

NIV-100X50

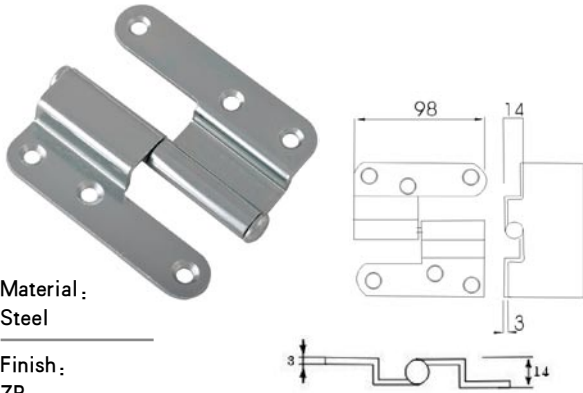
NIV-150X38

NIV-200X50



Dimension:	A-mm	B-mm	C-mm	D-mm
NIV 70x19	19mm	30mm	1.5mm	70mm
NIV 75x25	25mm	32.5mm	1.5mm	75mm
NIV 100x32	32mm	44.5mm	2.0mm	100mm
NIV 100x38	38mm	44.5mm	2.0mm	100mm
NIV 100x50	50mm	43.5mm	2.5mm	100mm
NIV 150x38	38mm	68.5mm	2.5mm	150mm
NIV 200x50	50mm	93.5mm	2.5mm	200mm

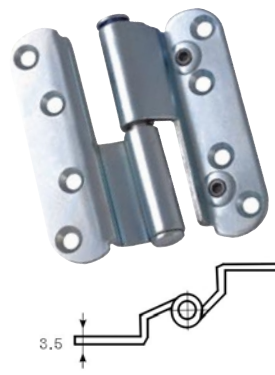
WD-3231



Material:
Steel

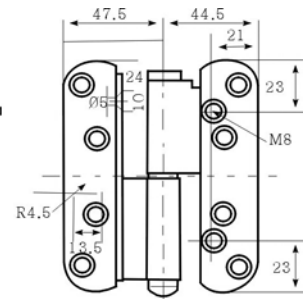
Finish:
ZP

WD-110



Material:
Steel

Finish:
ZP,CP,BP

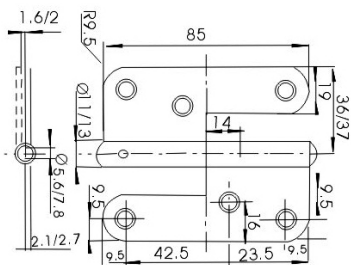


WD-1222/1228

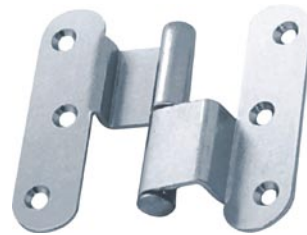


Material:
Steel

Finish:
ZP

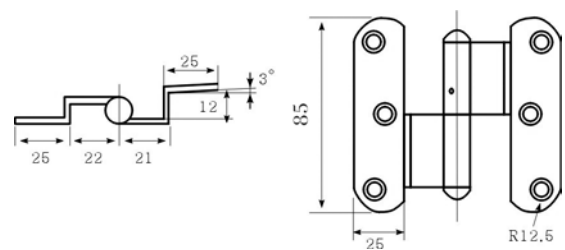


WD-85X25



Material:
Steel

Finish:
ZP

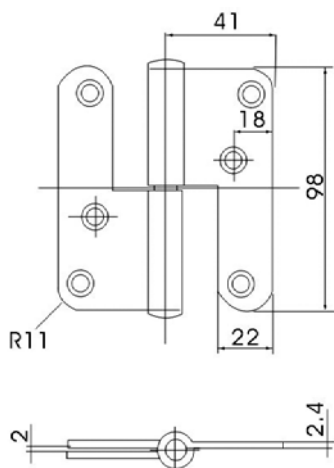


WD-3220



Material:
Steel

Finish:
ZP

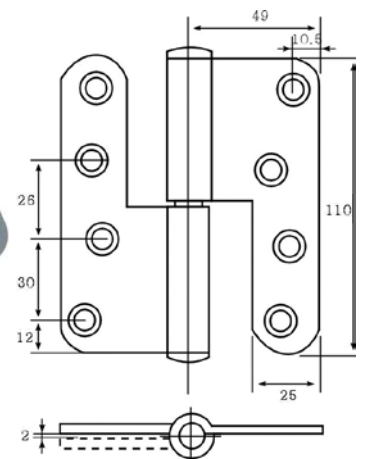


WD-3228

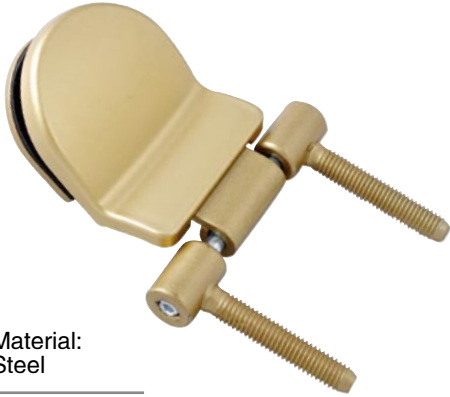


Material:
Steel

Finish:
ZP

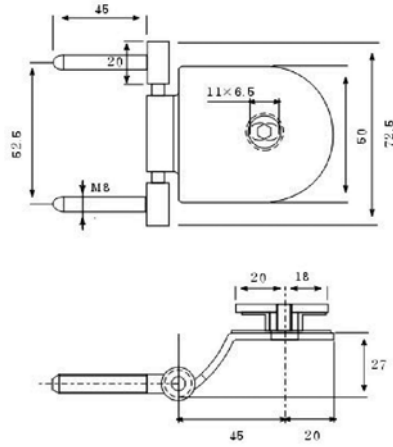


WD-715



Material:
Steel

Finish:
PC,CP

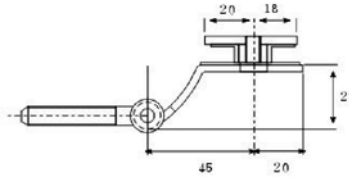


WD-702A



Material:
Aluminium

Finish:
PC,CP

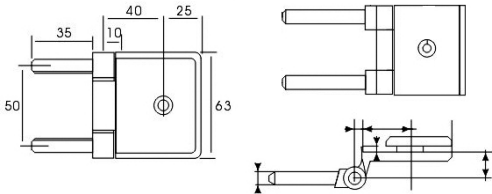


WD-700

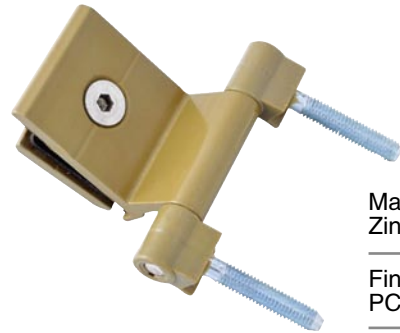


Material:
Aluminium

Finish:
PC,CP

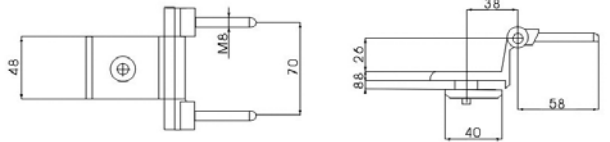


WD-702



Material:
Zinc Alloy

Finish:
PC

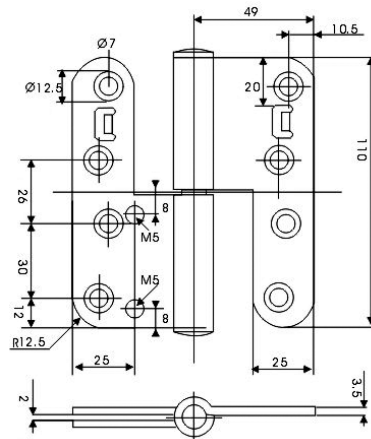


WD-4228



Material:
Steel

Finish:
ZP,PC

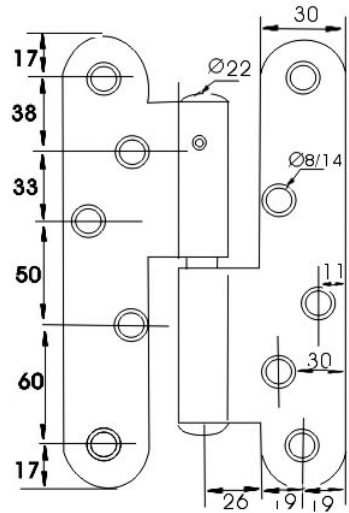


WD-215

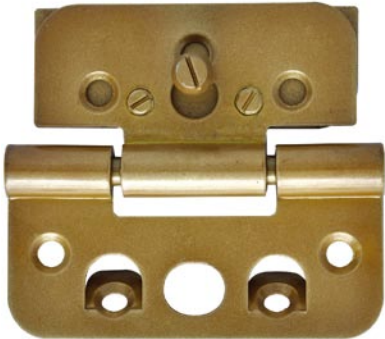


Material:
Steel

Finish:
ZP

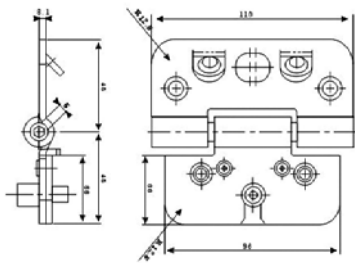


WD-110X36



Material:
Steel

Finish:
PC,ZP



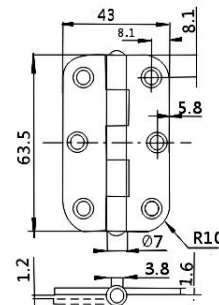
WD-1201 , WD-1206

WD-1206



Material:
Steel

Finish:
ZP

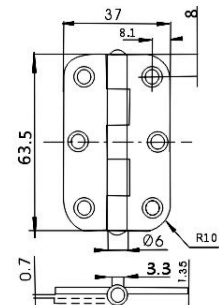


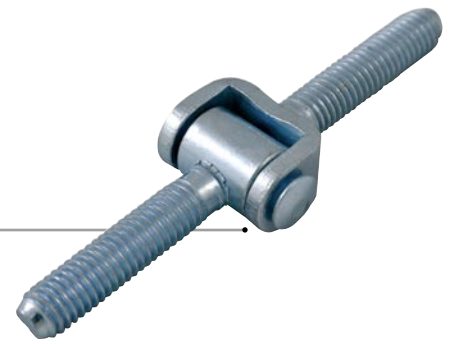
WD-1201



Material:
Steel

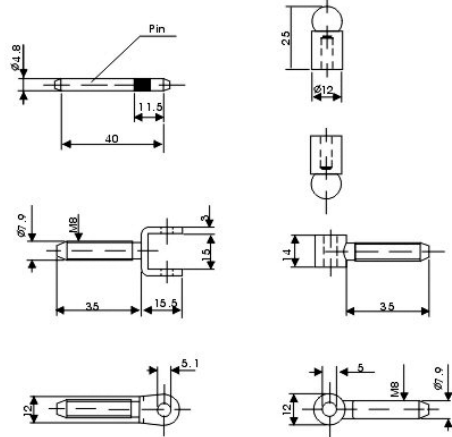
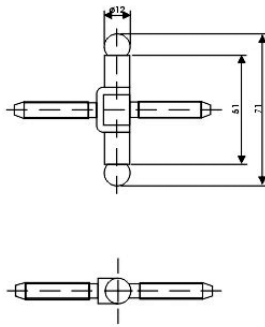
Finish:
ZP





AM8/Φ12 architect's drill-in hinge

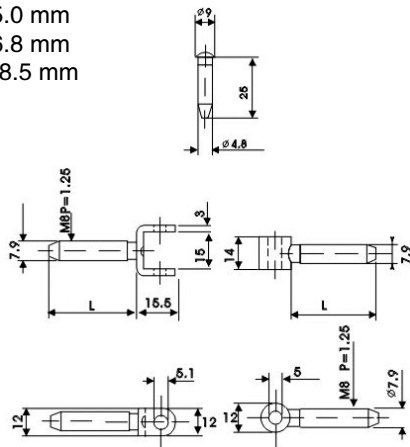
Predrilled hole
 M6 Φ 4.9...5.0 mm
 M8 Φ 6.4...6.8 mm
 3/8" Φ 8.2...8.5 mm



M8/12X35, M8/12X30

Predrilled hole
 M6 Φ 4.9...5.0 mm
 M8 Φ 6.4...6.8 mm
 3/8" Φ 8.2...8.5 mm

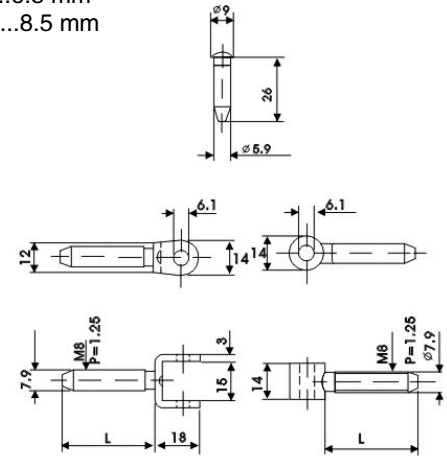
L=35
 L=30



M8/Φ14

Predrilled hole
 M6 Φ 4.9...5.0 mm
 M8 Φ 6.4...6.8 mm
 3/8" Φ 8.2...8.5 mm

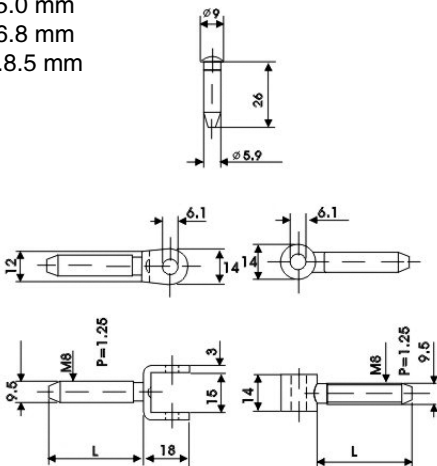
L=37.5
 L=30



3/8"/Φ14

Predrilled hole
 M6 Φ 4.9...5.0 mm
 M8 Φ 6.4...6.8 mm
 3/8" Φ 8.2...8.5 mm

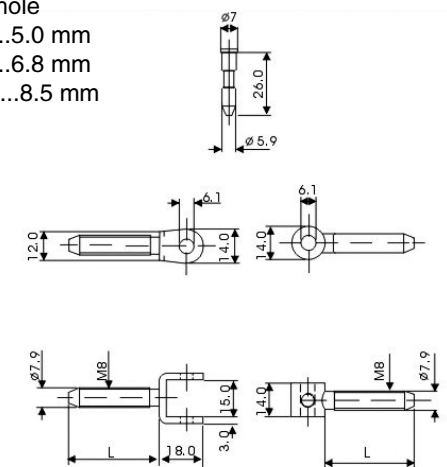
L=37.5
 L=30



M8X40MRS

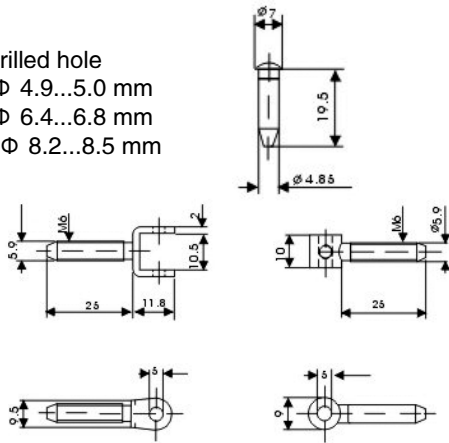
Predrilled hole
 M6 Φ 4.9...5.0 mm
 M8 Φ 6.4...6.8 mm
 3/8" Φ 8.2...8.5 mm

L=37.5
 L=30

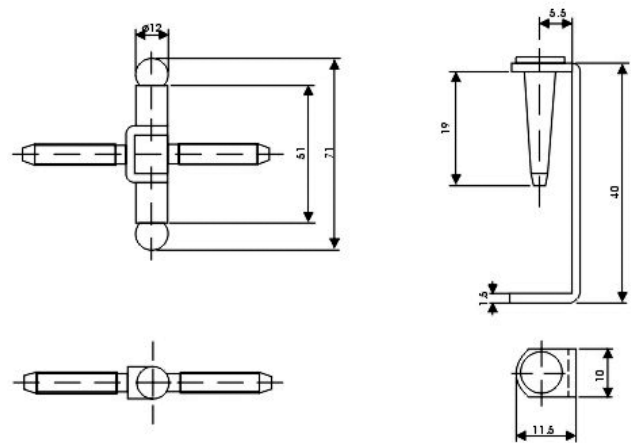


M6X25

Predrilled hole
 M6 Φ 4.9...5.0 mm
 M8 Φ 6.4...6.8 mm
 3/8" Φ 8.2...8.5 mm



M6X25LS/VM

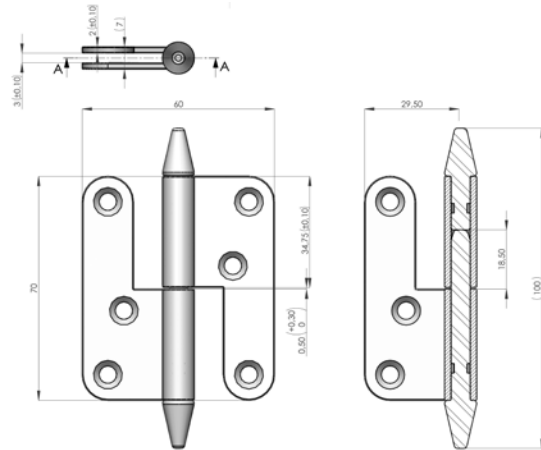


WD-70X30

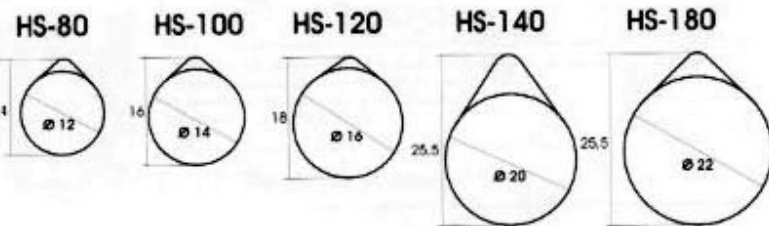


Material:
 Steel

Finish:
 PC,ZP

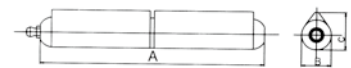
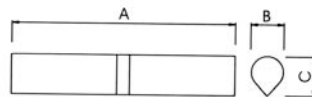


WD-HS



Material: Steel

Finish: Oil Dipped

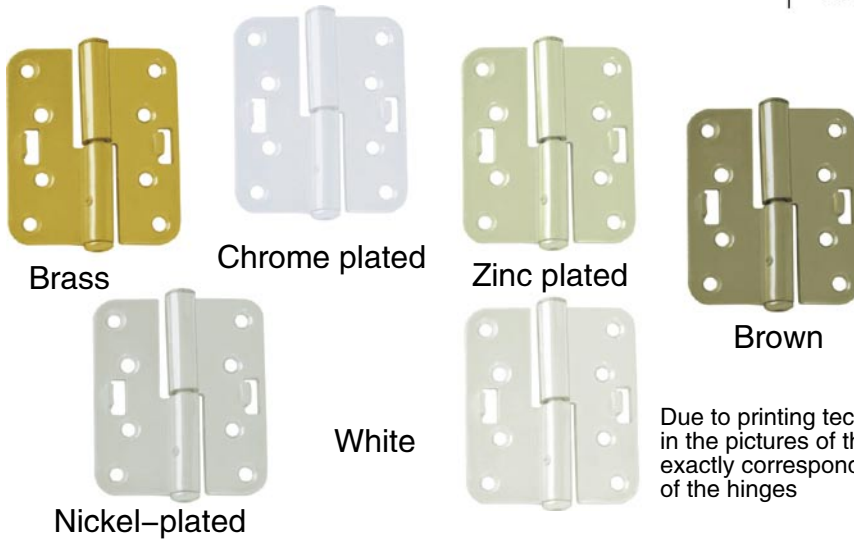
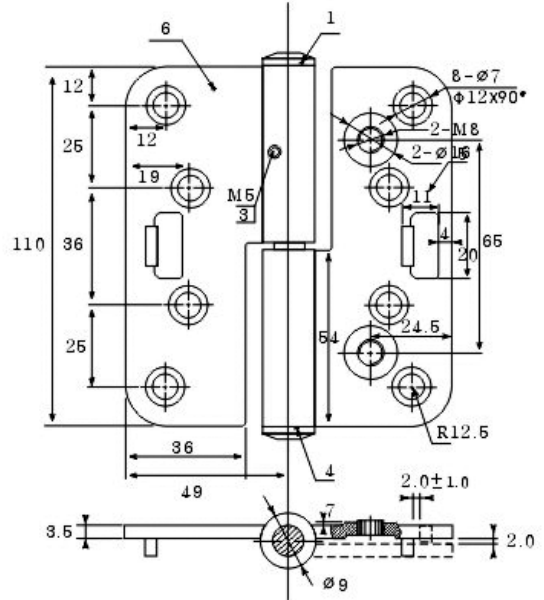


WD-L3248



surface treatment

Material:
Steel



Brass

Chrome plated

Zinc plated

Brown

White

Nickel-plated

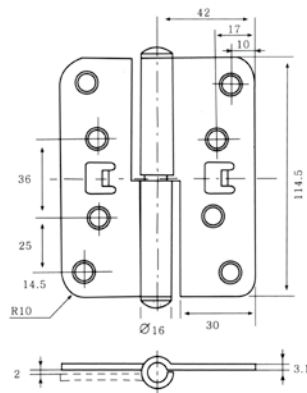
Due to printing technology, the colors in the pictures of this brochure do not exactly correspond to the real color of the hinges

WD-3244



Material:
Steel

Finish:
ZP

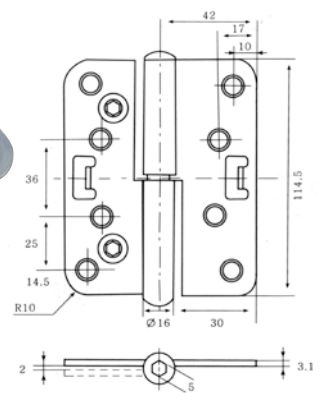


WD-3248

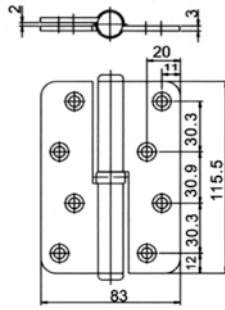


Material:
Steel

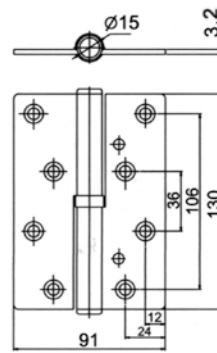
Finish:
ZP,CP,BP



WDNKP115X33, WDNKP130X38



WDNKP115X33

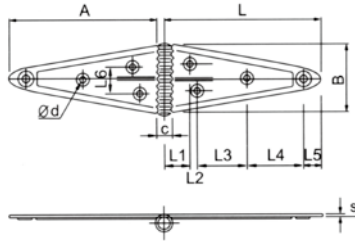
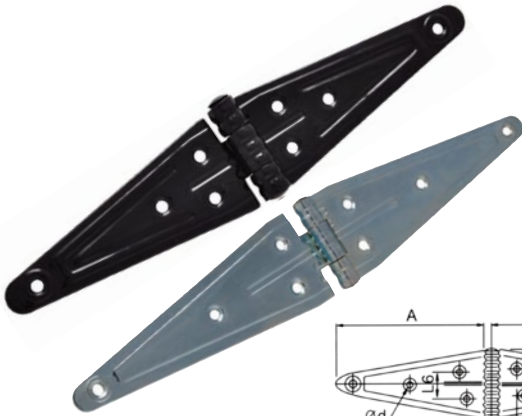


WDNKP130X38

Material:
Steel

Finish:
ZP

WD-A



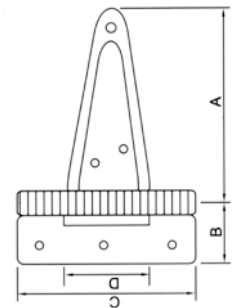
Material:
Steel

Finish:
ZP, PC.

Dimension: A-mm B-mm

A100	100mm	44mm
A125	122mm	49mm
A150	142mm	64mm
A200	202mm	70mm

WD-T



Material:
Steel

Finish:
ZP, PC.

Dimension: A-mm B-mm C-mm D-mm

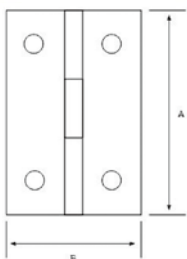
T100	100mm	30mm	95mm	45mm
T125	125mm	40mm	110mm	50mm
T150	150mm	45mm	120mm	65mm
T200	200mm	55mm	130mm	70mm

WD-AxB



Material:
Steel, Brass

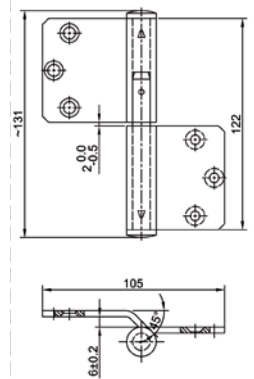
Finish:
ZP, Brass



Dimension

A*B 25 x 19	25mm	19mm
A*B 30x27	30mm	27mm
A*B 38x32	38mm	32mm
A*B 45x37	45mm	37mm
A*B 50x40	50mm	40mm
A*B 60x40	60mm	40mm
A*B 60x48	60mm	48mm

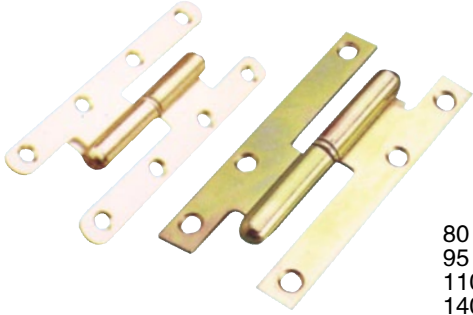
WD-3012



Material:
Steel

Finish:
ZP

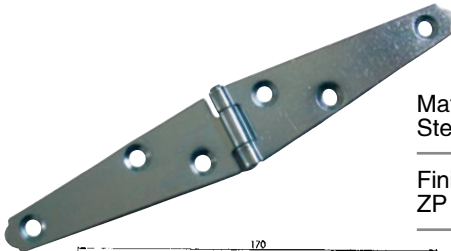
H Type Hinge



80 x 50
95 x 55
110 x 55
140 x 60

Material: Steel

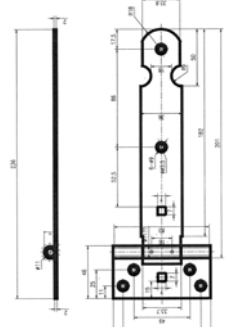
WD-A170



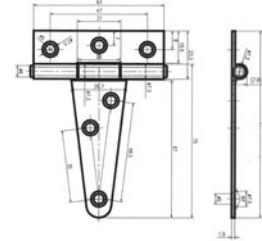
Material: Steel

Finish: ZP

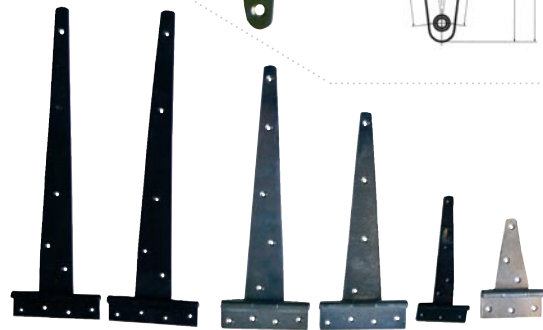
T Type Hinge



T-235



T-75



3" x 1.2mm
4" x 1.2mm
6" x 1.4mm
8" x 1.5mm
10" x 1.6mm
12" x 1.7mm
15" x 1.8mm
18" x 1.85mm
20" x 2mm
24" x 2.5mm

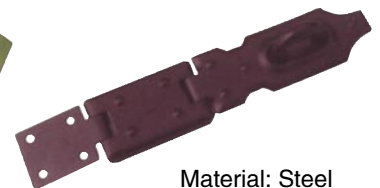
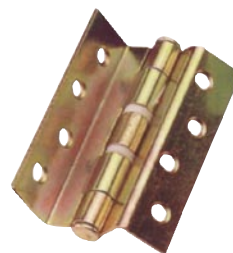
We also make heavy duty T hinge with thick steel sheet

Square Hinge



Material: Steel

Special Shape Shackle



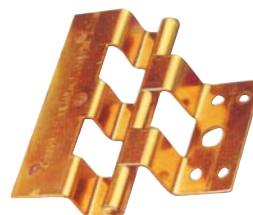
Material: Steel

Buckle



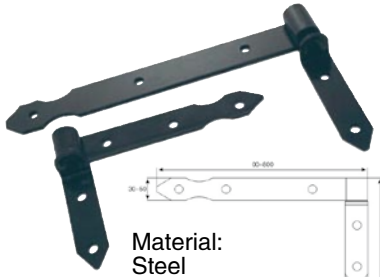
Material: Steel

Special Shape Hinge

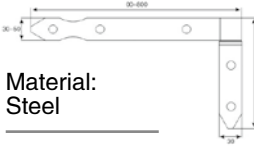


Size: 3" 4"
Material: Steel

WD-TAKO



Material: Steel
Finish: PC

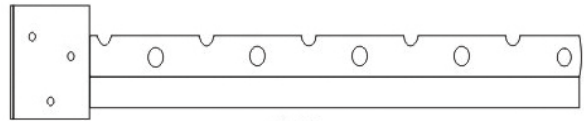


- WDTAKO200 200mm
- WDTAKO300 300mm
- WDTAKO400 400mm
- WDTAKO500 500mm
- WDTAKO600 600mm
- WDTAKO800 800mm

WD-ET-TT



Material: Steel
Finish: ZP

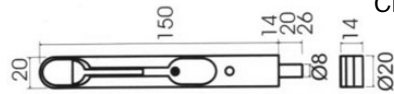
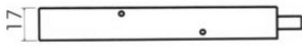


380

WD-150



Material: Zinc Alloy
Finish: CP

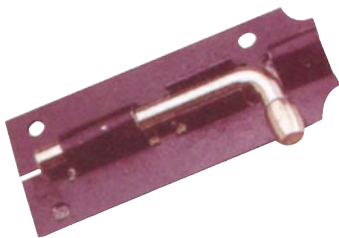


Heavy buckle



Size: 6" 7" 8" 10"

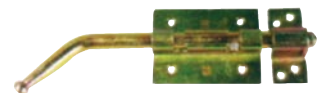
Iron bolt



Size: 3" 4" 5" 6" 7" 8" 10"



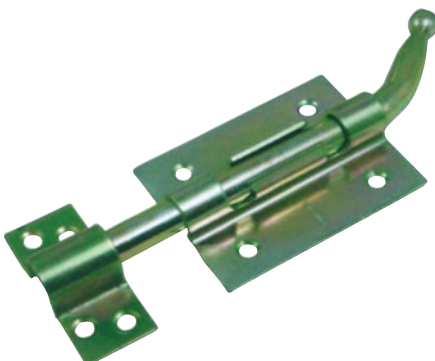
Size: 8"



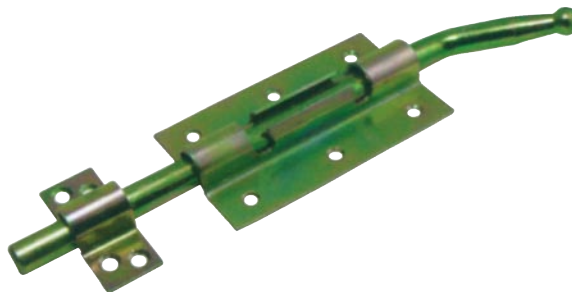
Size: 10"



Size: 12"



Size: 7" 8 1/2"



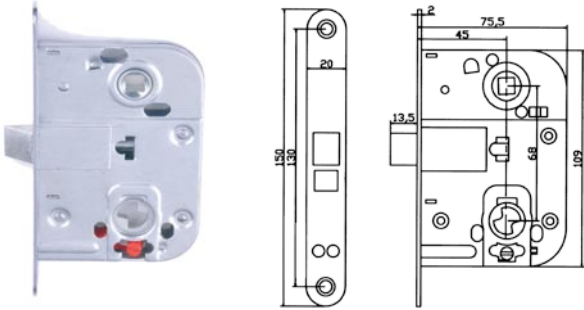
Size: 11" 14"



Size: 3"

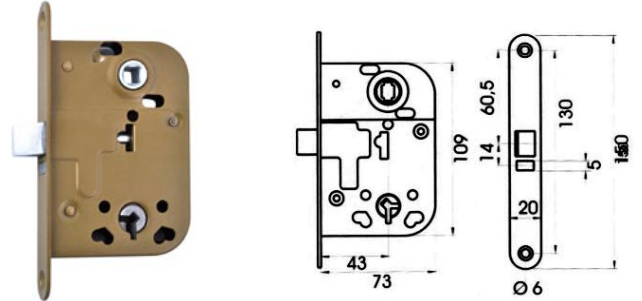
Finish: ZP, PC

WD-2016



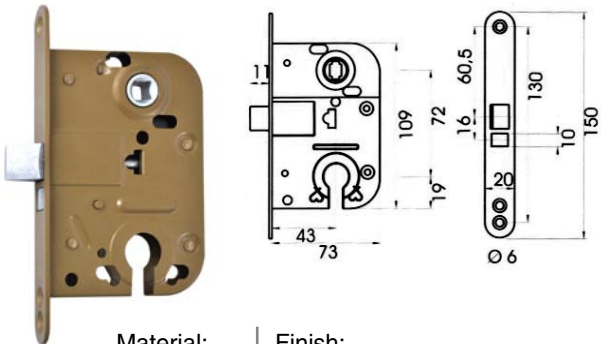
Material: Steel
Finish: PC,ZP

WD-2014



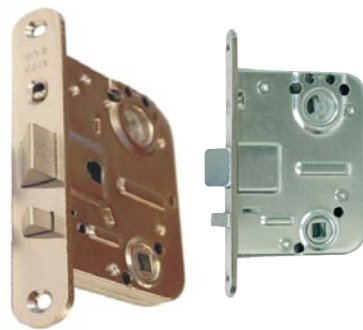
Material: Steel
Finish: PC,ZP

WD-2018



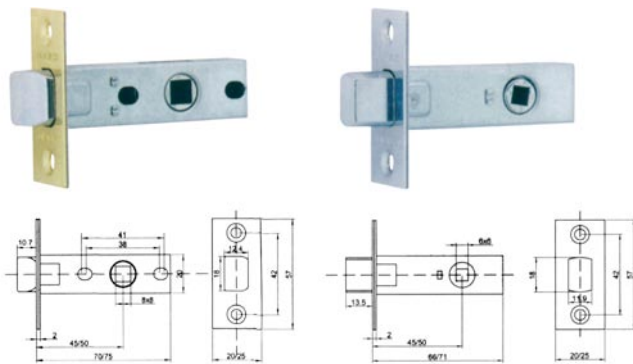
Material: Steel
Finish: PC,ZP

WD-4190



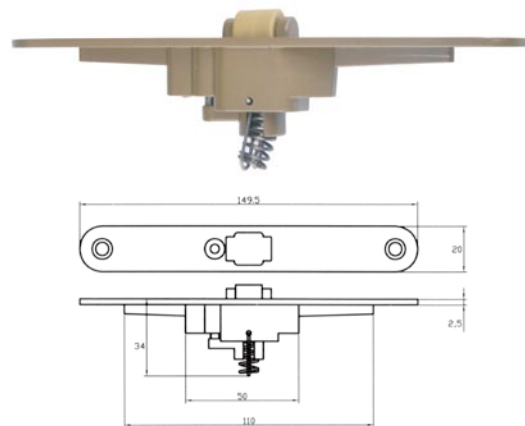
Material: Steel
Finish: According to the requirement

WD-100, WD-101



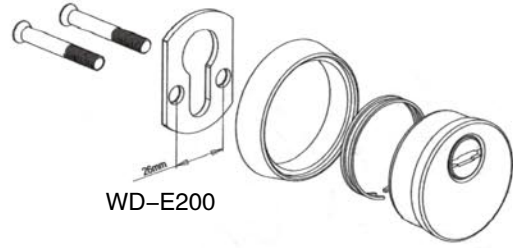
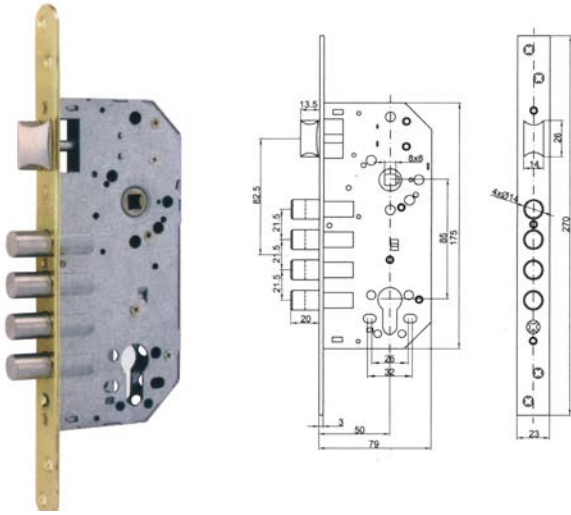
Backset: 45mm,50mm
Width of front plate: 20mm,25mm
Finish: BP,CP,AB,SB,SN,PC,PN,etc

WD-4238



Material: Steel
Finish: PC

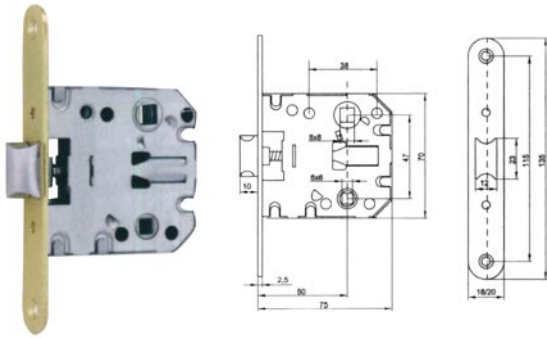
WD-3202B



WD-E200

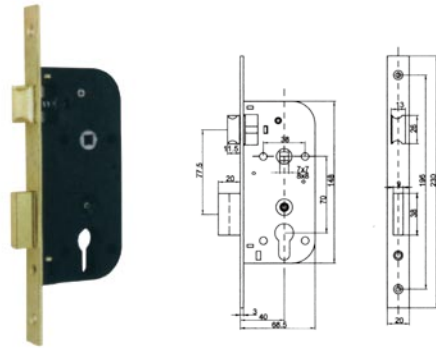
Front plate: Steel, Stainless Steel
 Finish: BP, SB, SN
 Security escutcheon: WD-E200

WD-PE47



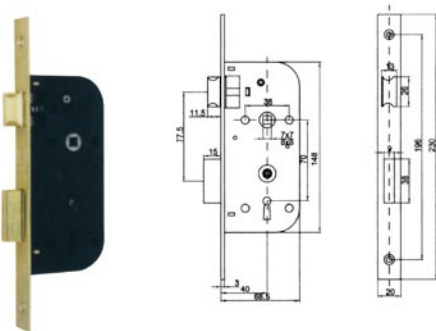
Backset: 45mm, 50mm
 Front plate: Steel, Stainless Steel
 Finish: BP, NP, AB, SB, SN, PC, PN
 Silent latch is available

WD-9040



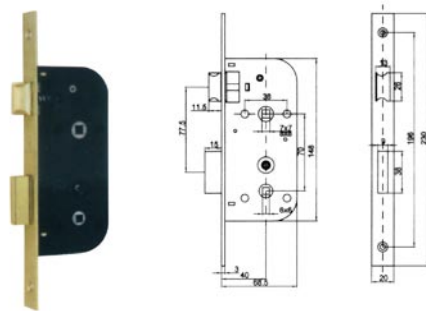
Finish: BP, SB, SN

WD-9040K



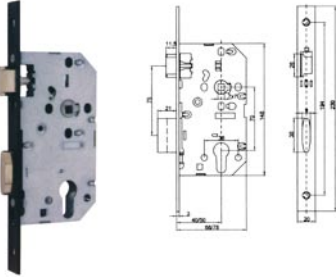
Finish: BP, SB, SN

WD-9040B



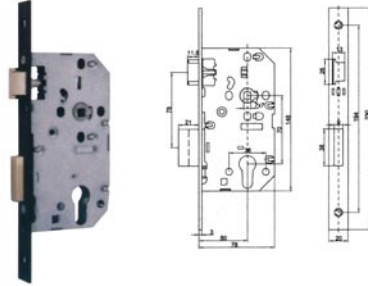
Finish: BP, SB, SN

WD-3320



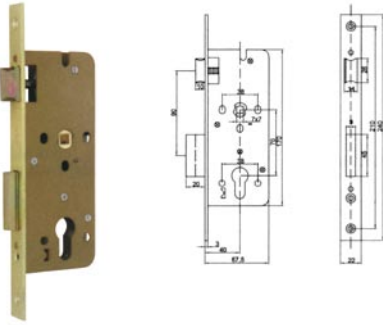
Backset:40mm,50mm
Finish:Black or Gray Painted

WD-3321



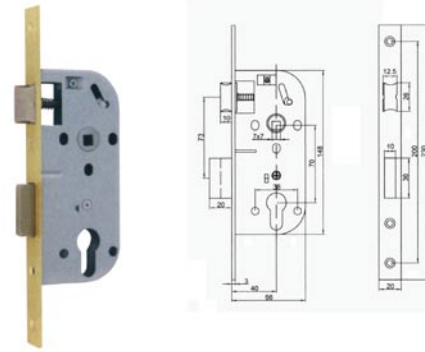
Finish:Black or Gray Painte

WD-3312



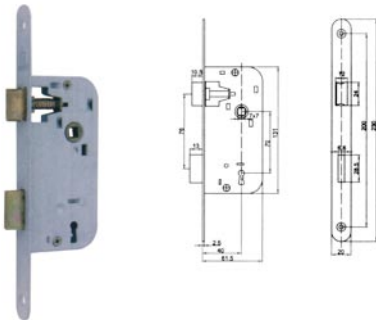
Finish:BP

WD-3311



Finish:BP

WD-240A

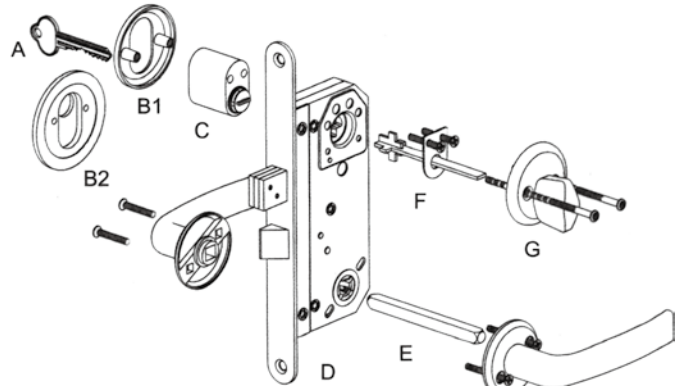
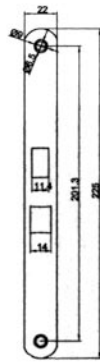
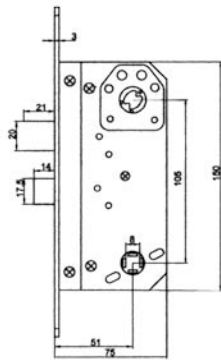


Lock body:steel; Handle:alumimium
Finish:White,Black,Brown
2 keys in 6 differs



WD-4565

For Scandinavian oval cylinders

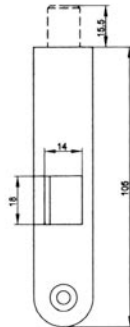
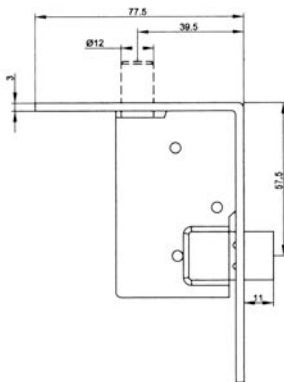


- A-Key
- B1-Cylinder Ring
- B2-Cylinder Ring(Optional)
- C-Cylinder
- D-Lock
- E-Spindle

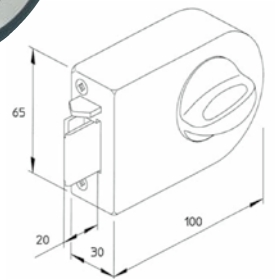
- F-Turn Follower
- G-Thumbtun
- H-Handle

WD-4300

For flush doors

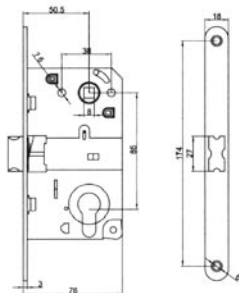


WD-201

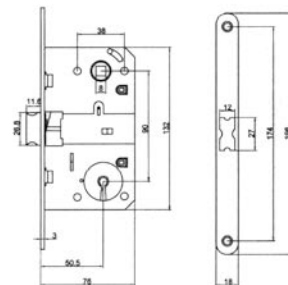
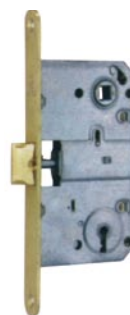


Material: Steel and Zinc
Finish: Black

WD-M85C



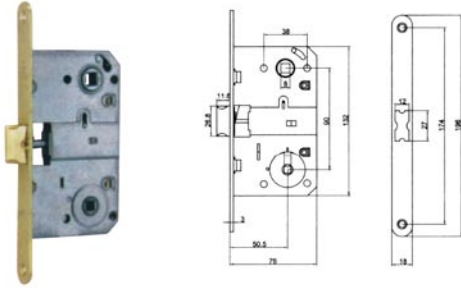
WD-M90K



Hole centre:85mm,90mm
Finish:BP,CP,AB,SN etc
Different strikers are available

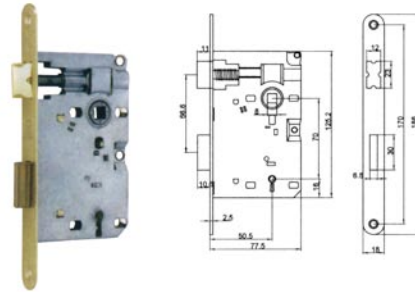
Finish:BP,CP,AB,SN etc. With 1 Key
Different strikers are available

WD-M90B



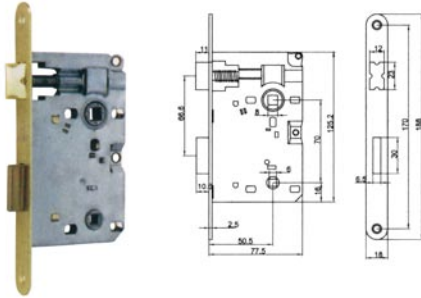
Finish:BP,CP,AB,SN etc
Different strikers are available

WD-3970K



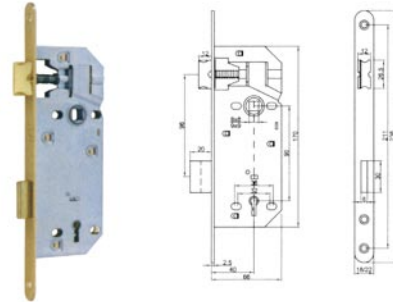
Finish:BP,CP,AB,SN etc.
1 key in 6 differs

WD-3970B



Finish:BP,CP,AB,SC etc.

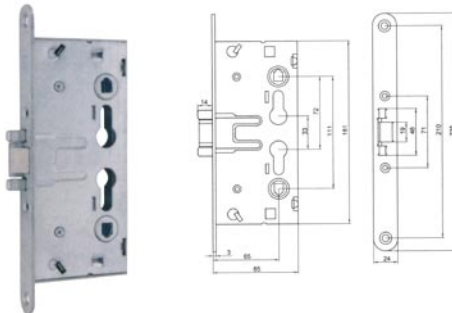
WD-3090



Backset:40mm,45mm,50mm
Finish:BP,NP,SN etc
2 keys in 6 differs
Different strikers are available

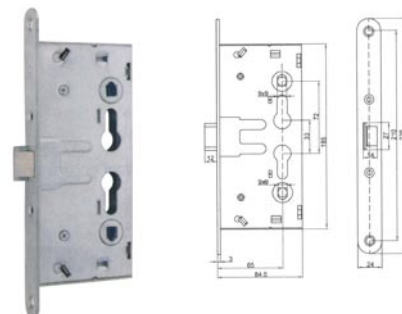
WD-1739

For anti-fire doors



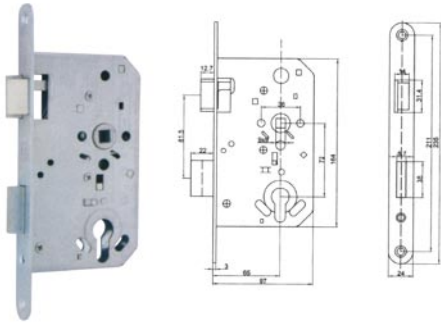
WD-1739P

For anti-fire doors
Anti-panic type



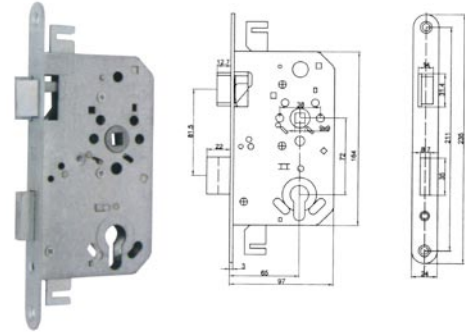
WD-1740

For anti-fire doors
Left and right hand



WD-1740M

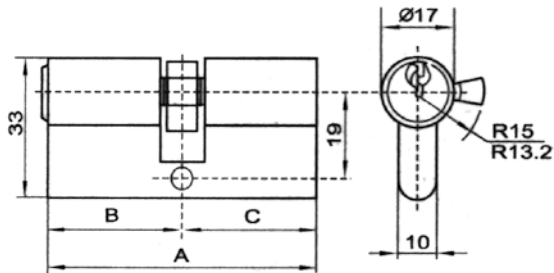
For anti-fire doors



WD-2200

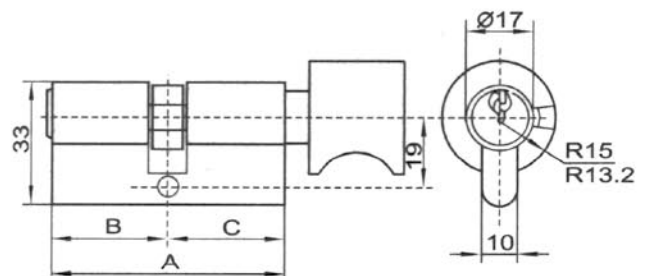


Standard euro profile cylinders
Finish:PB,NP,CP,SB,SN, PN etc



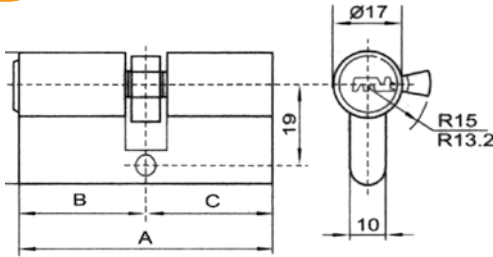
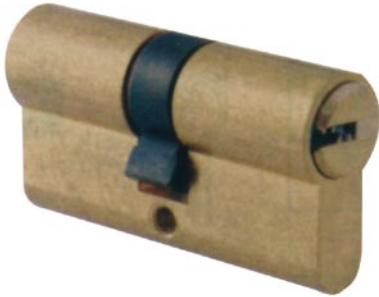
SIZE	A	B	C	PINS
54mm		27	27	4
55mm		27.5	27.5	5
60mm		30	30	5
65mm		30	35	5
70mm		30	40	5
70mm		35	35	5
75mm		35	40	5
80mm		30	50	5
80mm		35	45	5
80mm		40	40	5
85mm		35	50	5
85mm		40	45	5
90mm		30	60	5
90mm		40	50	5
90mm		45	45	5
100mm		30	70	5
120mm		30	90	5

WD-2200T



Standard euro profile cylinders with knob
Finish:PB,NP,CP,SB,SN, PN etc.
Different knob options(as Knobs for cylinders)

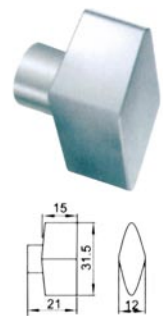
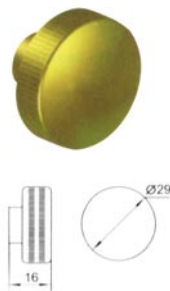
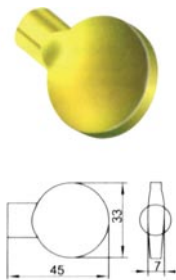
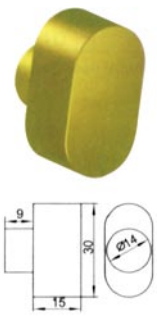
WD-2300



Security euro profile cylinders
Finish:PB,NP,CP,SB,SN,PN,etc

SIZE A	B	C	PINS
60mm	30	30	6
70mm	30	40	6
70mm	35	35	6
80mm	30	50	6
80mm	35	45	6
80mm	40	40	6

Knobs For Cylinders



Striker



WD-0068



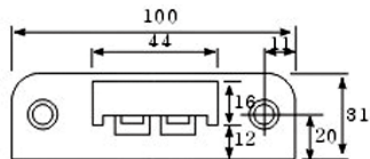
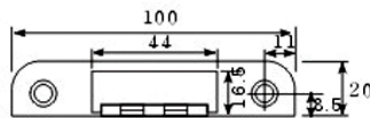
WD-0045

Material:
Steel

Finish:
PC



WD-2860



WD-068

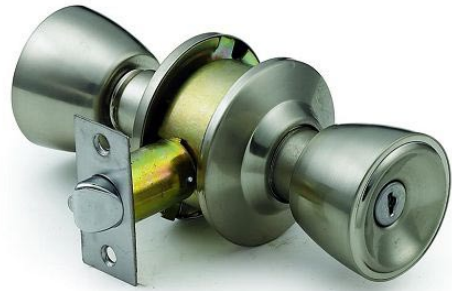


WD-304

WD-570 PBBK



WD-588 SSET



WD-5831 PBET



WD-5793 SSET



WD-5731 JM-AET



WD-3810 PC



WD-5872 ACET



WD-587 PCET



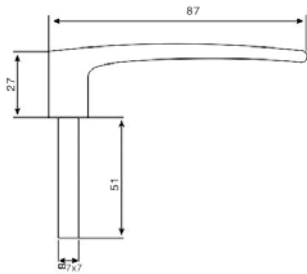
Door thickness:35mm-50mm;
Backset:60mm or 70mm
Material:steel or stainless steel,brass
Cylinder: Brass/Zinc, with 3 brass keys(iron keys are available also)

WD-500



Material:
Steel

Finish:
PC, CP

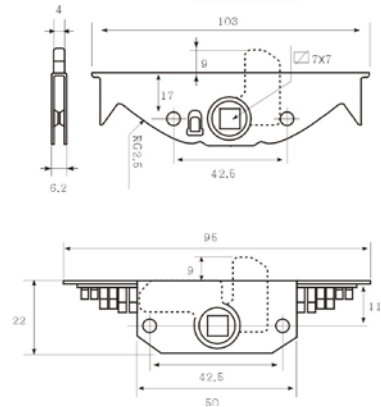


WD-202

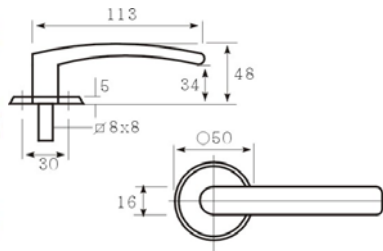


Material:
Steel

Finish:
ZP



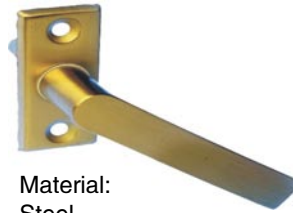
WD-006



Material:
Zinc Alloy or Aluminium

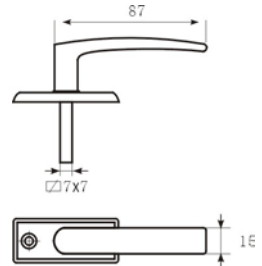
Finish:
PC, CP, BP, GP

WD-501

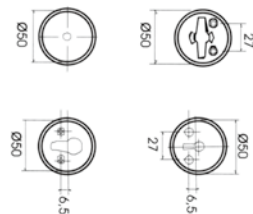


Material:
Steel

Finish:
PC, CP



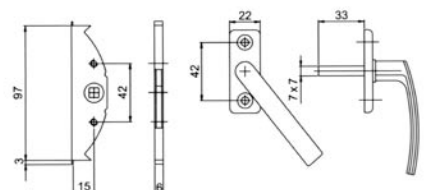
WD-112, 113 WD-114, 115



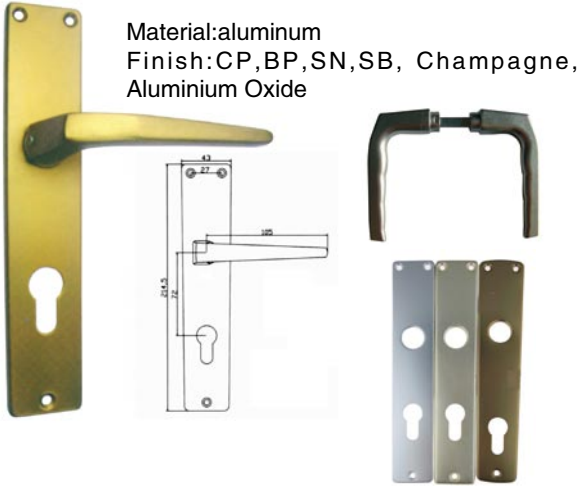
Material:
Steel

Finish:
PC, CP, BP, GP, SC, SB

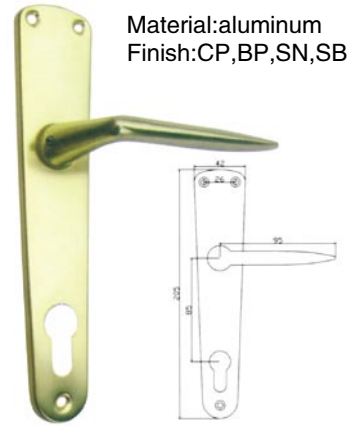
WD-31011



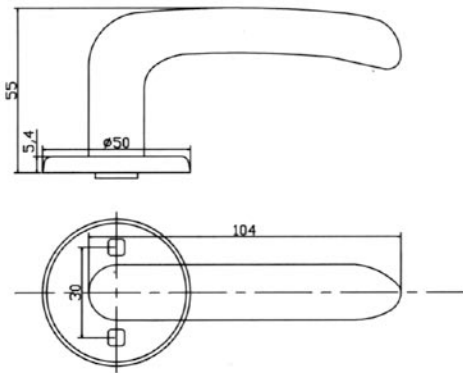
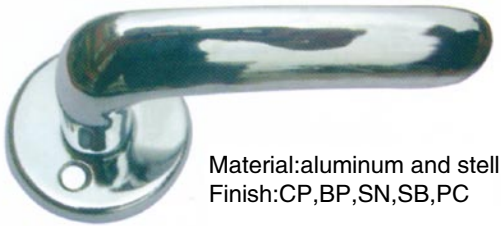
WD-301



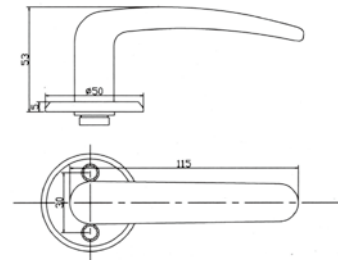
WD-302



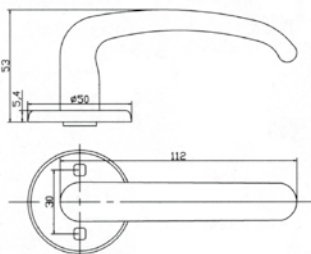
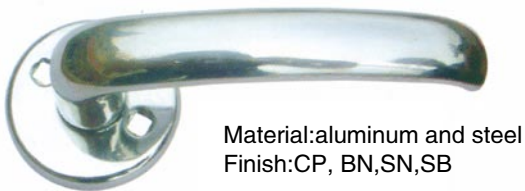
3/8" / Φ14



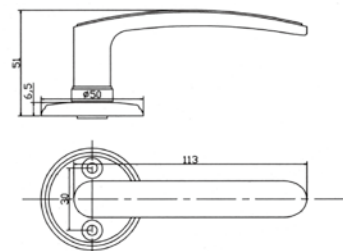
WD-308



WD-309



WD-L306



WD-843/841



Material:
Aluminium

Finish:
PC

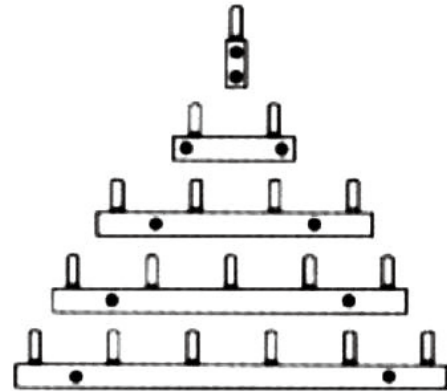


WD-840



Material:
Aluminium

Finish:
PC



WD-840/1

WD-840/2

WD-840/4

WD-840/5

WD-840/6

WD-RUUVIT



Material:
Steel

Finish:
ZP

WD-2BREST-125

Sofa Leg



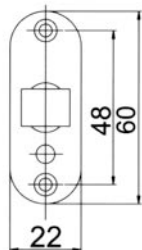
Material:
Aluminium

Finish: CP

WD-7023



Material:
Zinc Alloy and Steel



Paper Holder 2010



Finish: CP, SC

Bathroom Hardware



Towel Hanger 123;124;1803;1804;1903
Finsh:PC,CP,SC,NP



Hook 1021
Finsh:PC,CP,SC



Hook 1020
Finsh:PC,CP,SC



Size: Φ 80, Φ 100, Φ 125, Φ 160
Finsh:PC

Double Hook 2007
Finsh:CP,SC



Ventilator 100–125;150–160
Finsh:PC,Aluminium Oxide

Ventilator 150*150;200*200
Finsh:PC,Aluminium Oxide



Paper Holder 2229, 2230
Finsh:PC,CP,SC



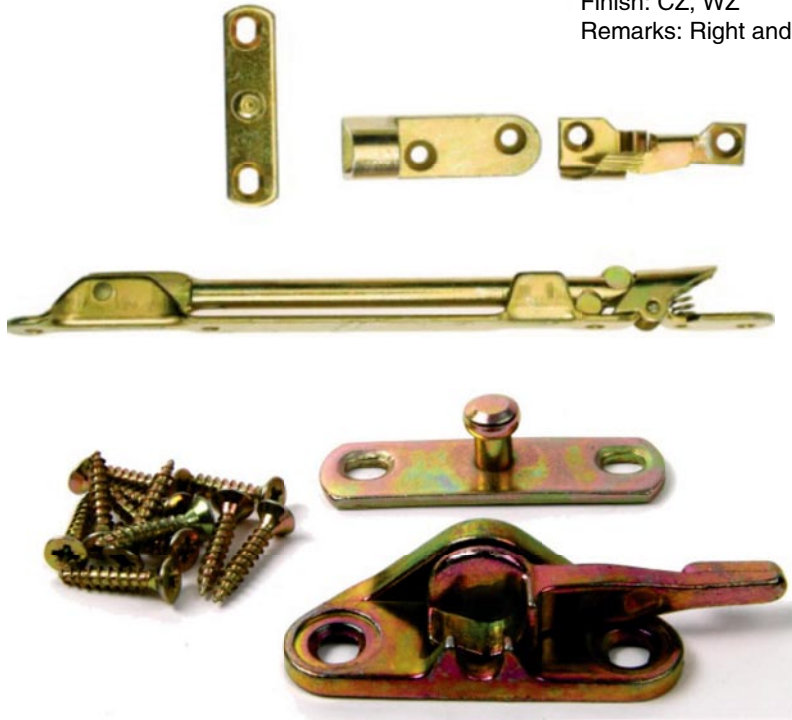
Towelring 2004
Material: Brass and Zinc Alloy
Finsh:SC,CP,AC



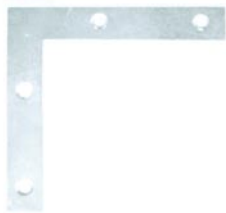
Hasp 90mm; 115; 140; 200
Finsh:ZP

Tilt and Turn Window Set

Material:
Zinc Alloy and Steel
Finish: CZ, WZ
Remarks: Right and Left Hand



Wood Connectors



L-Shape Connector



Reinforced Angle Bracket



Joist Hanger



Flat Connector



Merging Square Bracket



Flat Merging Connector

Material:Pre-glav.Steel Sheet DX51D+Z275

Anchor

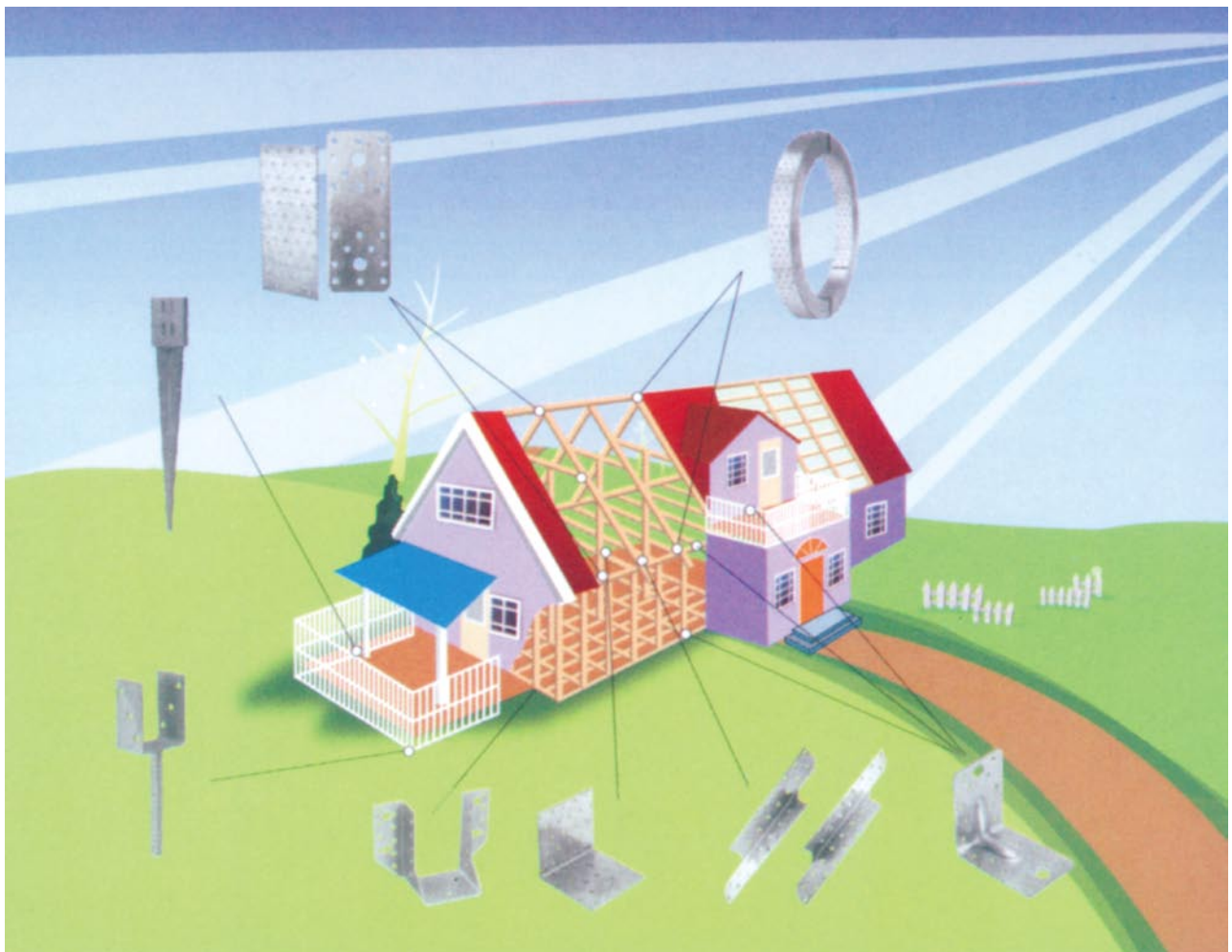
Pole Anchor



Adjustable U-type Pole Anchor

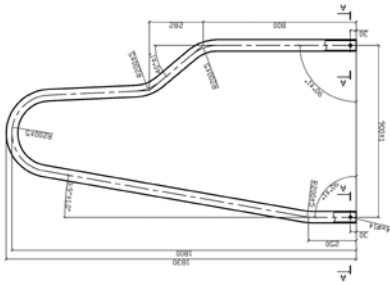


Material: Steel Plate, HDG after punching Sheet DX51D+Z275



Farm Fence

We make farm fence products with HDG finish. We also make different tube products for farm with Pre-glav. tube and HDG tube by processing of welding, punching, bending, shrinking, powder coating and assembling. etc.



Construction Parts

Material: Steel, Special high grade steel sheet. BS700, 8mm
 Finish:PC

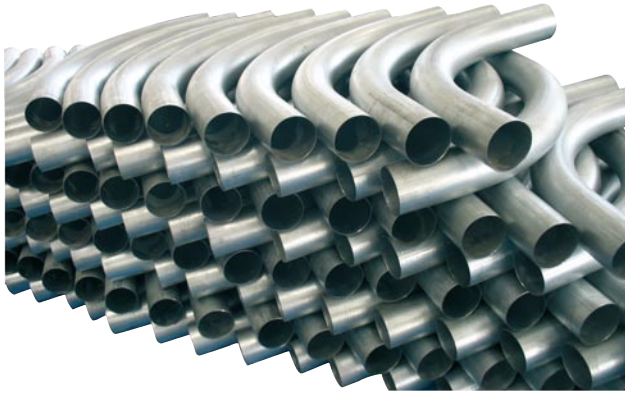


Fix-under Tile Bracket

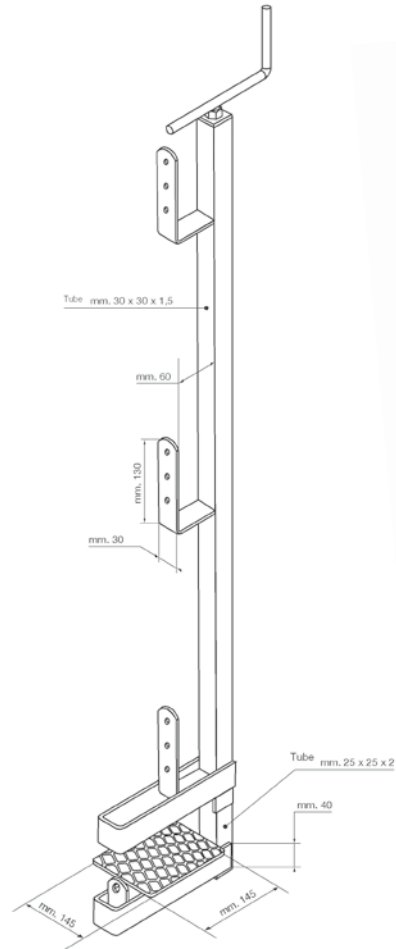


Fix-under Sheet Bracket

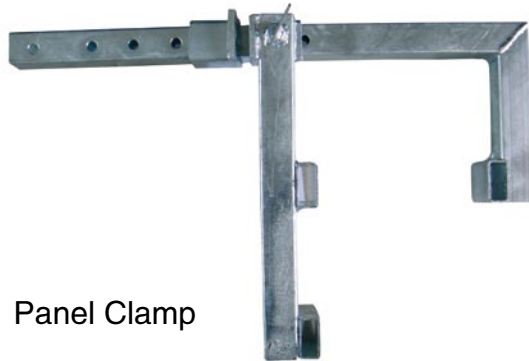
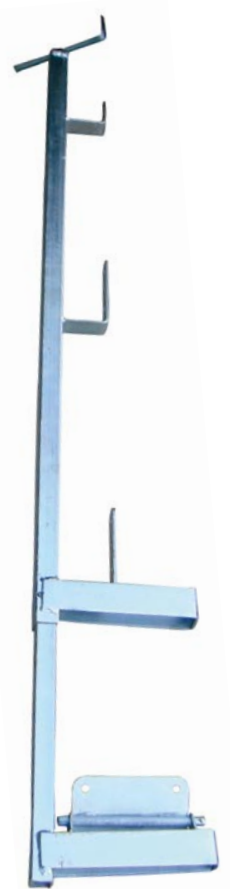
Construction Parts



Bending Tube



Universal Rail



Panel Clamp



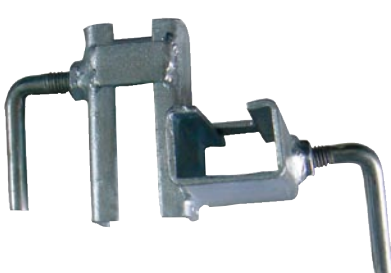
Scaffold Parts



Balcony Upright



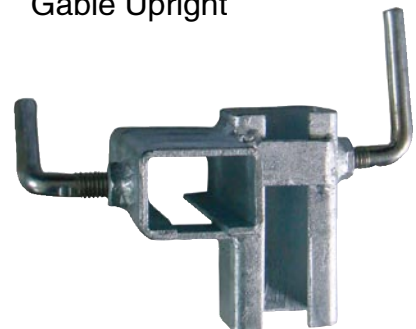
Gable Upright



Fixed Corner



End Clamp



Fixed Corner

Finish: HDG, WZ, YZ, PC



Weifang Wilda Machinery Co.,Ltd.

Add:No.3,Yongkang Jie,Weifang Economic Development Zone,Weifang City,Shandong Province,China.

Tel:(86)-536-8651769

Fax:(86)-536-8668039

E-mail: wilda.wang@vip.163.com ; victor_wilda@163.com

Web:Http://www.wildafast.com



WeChat



WhatsApp